

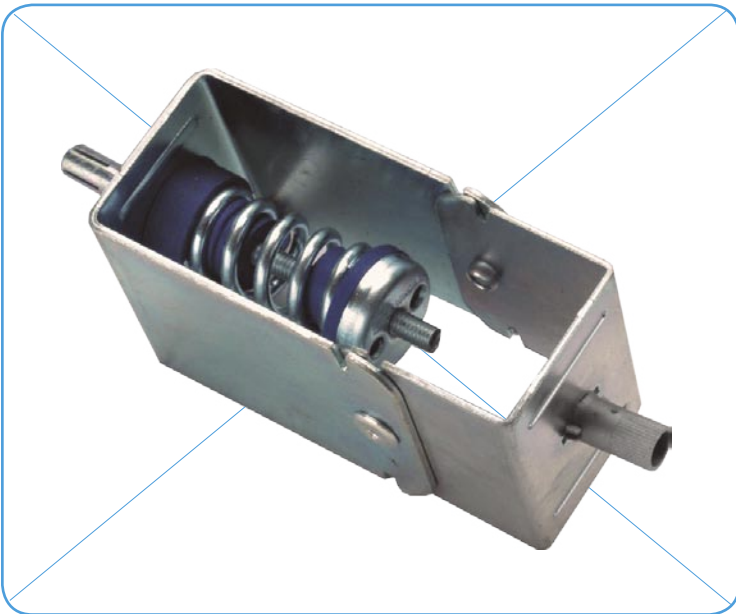
# MODEL A4M

## LEVELLING ACOUSTIC ISOLATOR

THE ONLY ISOLATOR IN THE WORLD WITH THERMAL BREAK, with a rotating system for adjustment and for correcting the different angles which can arise when mounting, improving the performance of the plastic body by preventing it from functioning under shear stress. It incorporates an original levelling system comprising a rotating loose bush constructed from steel and protected by a sleeve of polypropylene which also gives it thermal properties. This channels the rod and the structure can be levelled easily with a simple turn.

Its elastic component incorporates an exclusive design and an improvement in performance at low frequencies (Hz), by combining and interposing different soft materials (thermal-rubber) between the steel spring, the metal housing and the levelling bush, enabling a more secure fit of the cap, thus enhancing its performance in reducing vibrations

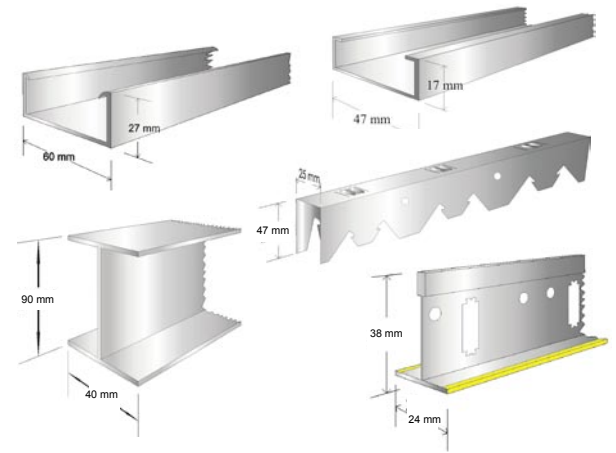
Suitable for use with all profiles currently on the market as well as for supporting machinery and overhead machine frames.



REF.	MODEL	FRAMING	PACK.	COLOR	METRIC	MIN-MAX (Kg) LOAD
SE-A4 30 MG V	A4M	ALL	50 U/B	■	M-6	12-30
SE-A4 50 MG A	A4M	ALL	50 U/B	■	M-6	30-50

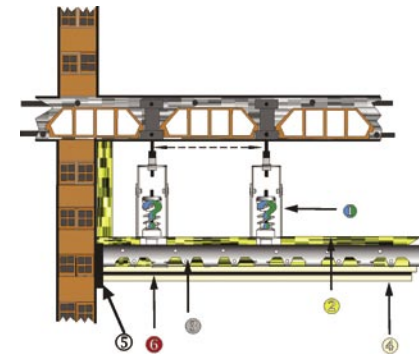
### FRAMMINGS/CHANNELS

All FRAMMINGS/CHANNELS

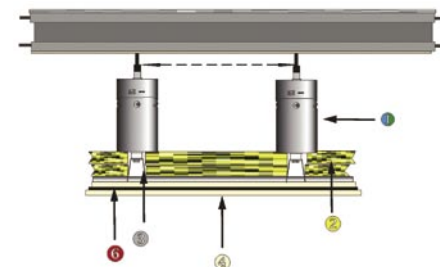


### RANGE OF APPLICATION

Suspended ceilings, air ducts, overhead machine frames, etc.



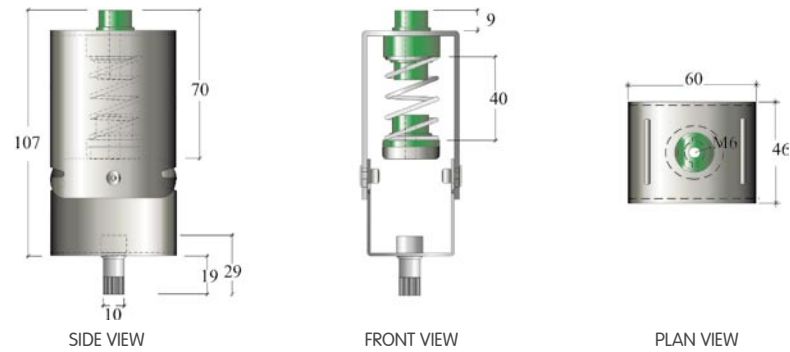
- 1 Isolator SE-A4 60 or SE-A4 70.
- 2 Phonoabsorbent fibre.
- 3 Detachable ceiling.
- 4 SE-BEP strip.



## DIMENSIONS

### Mod. A4M

(Measurements expressed in millimetres)



## OPTIMUM LOAD RANGE

### GREEN



(12-30) Kg

LOAD (Kg)	RESONANCE FREQUENCY (Hz)	RESONANCE AMPLIFICATION	ISOLATION THRESHOLD (Hz)
11,32	8,86	2,60	14,37
16,32	6,73	2,50	11,74
21,32	5,22	3,31	10,97
26,32	4,65	4,31	9,98
31,32	< 4,50	-	9,38

### BLUE



(30-50) Kg

LOAD (Kg)	RESONANCE FREQUENCY (Hz)	RESONANCE AMPLIFICATION	ISOLATION THRESHOLD (Hz)
36,32	4,86	4,93	9,78
41,32	4,87	4,73	9,03
51,32	4,95	3,89	8,00
56,32	5,51	3,65	7,44
61,32	5,87	3,50	7,40

## TESTS: MECHANICAL LOAD

**Description/Make:**  
RIEHLE Testing machine

**Code:**  
ME 035003

**Traceability/Date of calibration:**  
LABEIN / 13th May 1999

**Results obtained:**  
Sample isolator MOD. A4M. Breaking load (kg) 200. **Failure mode: Levelling bush breaks.**



Test arrangement.



Sample subjected to load of 50 kg.



Detail of the sample subjected to load of 200 kg. Upper part breaks.